



# 使用说明书

## Instructions for use

个人装备：救援、攀登、绳索、器材专业制造商  
 Personal equipment: specialist manufacturers of rescue, climbing, ropes and fall protection devices

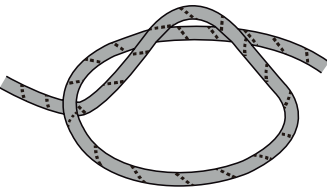


### ENGLISH

**Applic to static rope:** HT-JL03  
**Manufacturer:** HOATER (Hangzhou) Safety Technology Co., Ltd.  
 3507, Xinghui Center, No. 723 Dayuan Road, Lin'an District, Hangzhou City, Zhejiang Province, China  
**Notified body for EU type examination and production control:**  
 APAVE SUDEUROPE SAS 8 rue Jean Jacques Vernazza - Z.A.C.Saumaty-Séon - CS 60193 - 13322 MARSEILLE CEDEX 16.

The rope is classed as a personal protective Equipment (PPE) by the European Regulation 2016/425 and has been shown to comply with this Regulation through the European Standard EN1891:1998.

#### Carefully read these instructions before using this rope



Model:	HT-JL03
Type:	A
Diameter:	12mm
Knotability:	1.0
Sheath slippage:	0.6%
Elongation 50-150kg:	2.6%
Shrinkage:	0%
Weight:	98g/m
The mass of the sheath Sp:	35.9%
The mass of the core C:	64.1%
Min number of falls:	5
Strength:	39.2kN
Min.Tenacity with knots:	15kN
Used material:	Polyamide

- Limitations:**  
 Please consider the following application limitations before using this equipment:
- The equipment shall not be used outside its limitations, or for any purpose other than that for which it is intended.
  - The equipment shall only be used by a person trained and competent in its safe use.
  - No more than one personal protective system may be connected at one time.
  - Before use, the supervisors must consider about the risk of possible danger, a rescue plan needs to be established to deal with any emergencies that could arise during the work.
  - During the use, user use equipment must under supervision.
  - Ensure compatibility of all other products used with the equipment when assembled into a system.
  - The user should carry out a pre-use check of the equipment, to ensure that it is in a serviceable condition and operates correctly before it is used.
  - Withdraw the equipment from use if there is any doubt about its condition for safe use or if it has already arrested a fall, do not use it again until confirmed in writing by a competent person.
  - The life span of the product is 10 years but inspection, annually is important to check if any damages have occurred during usage.
  - If it has been subjected to a major fall or load, it must stop use.
  - This equipment is should be treated as a personal issue item.

**Field of application:**  
 This equipment is personal protective equipment—EN1891:1998 type A static rope (low stretch kernmantel rope), and this product is designed to provide protection against the danger of falling from heights. This rope can be used for rope access, working positioning ,travel restraint,as well as rescue,caving or canyoning.It can also be used as a working rope or a safety rope .  
 Note: Type A ropes are more suitable for use in rope access and work positioning than

type B ropes.  
 If type B ropes are chosen, users should be aware that the level of performance will be less than that of type B; that greater care will be required in protecting against the effects of abrasion, cuts, general wear and tear etc., and than in use gerat care should be taken to minimise the possibility of a fall.

**Warning:**  
 This rope must not be loaded beyond its strength rating,nor be used for any purpose other than that for which it is designed. In particular, don't use them for load lifting.

- Inspection:**
- Your safety is related to the integrity of your equipment.
  - Equipment used for work safety in accordance with EN 365 must be inspected by an expert in close observance of the instructions or by the manufacturer itself at least every 12 months and replaced if necessary.
  - Record the results of the inspection on your PPE inspection form(see form 1): type, model, trade name , identification number, manufacturer contact info , dates: manufacture, purchase, first use, Reason for entry (periodic examination or repair), defects noted, repairs carried out and other relevant information, name and signature of competent person, periodic examination next due date.
  - In general,The inspection must include:  
 An inspection of the product' s general condition: age,integrity, soiling proper composition.

- Label inspection: Is the label present? Is the label legible? Is there a CE label? Can you read the Date of MFG?  
 Inspection of all individual parts for mechanical damage,e.g.: tears, rips, nicks, abrasion, deformation, ribbing,entangling, crushing.  
 Inspection of all individual parts for thermal or chemical damage, e.g.: melting, hardening.
- Before each use visually check the condition of the sheath along the entire length of the rope. Make sure there are no cuts, burns, frayed strands, fuzzy areas, or signs of chemicals.
  - Carry out a tactile inspection of the core along the entire length of the rope,This allows you to detect areas where the core is damaged (hard spot, mushy area).
  - If the equipment has been subject to stress through a fall, it should be withdrawn from use immediately. If you have the slightest doubt, the product must be discarded or may only be used again if an expert has provided written confirmation that it is fit for use after examination.
  - During use: It is important to regularly monitor the condition of the product and its connections to the other equipment in the system. Make sure that all items of equipment are correctly positioned with respect to each other.

- Compatibility:**
- Please ensure that the recommendations for use with other components are maintained: All other components of the working harness must be certified and comply with the relevant standards for PPE
  - Use ropes in accordance with EN 1891 must be used in systems in accordance with EN 341 (Descender Devices for Rescue), EN 358 ( work positioning safety belt) or EN 363 (Personal Fall Protection Systems), i.e. for various rope-supported work. Please note that the surface of new, unused ropes can be very smooth and slippery. When using devices, please read the manufacturer' s information on the respective device.
  - Rope devices should be adjusted to the rope diameter.
  - Metal parts must not have any burrs or sharp edges that could damage the rope. Any combination of equipment that affects the safe functioning of any single piece of equipment or the entire system puts you at risk too!

- Precautions for use:**
- Type B ropes have a lower performance level than type A ropes;they are more susceptible to abrasion, cuts, normal wear... It is important to pay greater attention to reducing the potential for falls. Type A ropes are better suited than type B ropes for use in rope access and work positioning.
  - To prolong rope life (better sheath/corecohesion), soak it in water for 24 hours prior to first use. This removes lubricants and otherproducts used in manufacturing. Let the ropedry slowly. It will shrink by approximately 5 %(5 m for every 100 m).
  - Protected from chemicals, heat, abrasion, ultraviolet light, sharp edges that can

- damage your rope.
4. Rubbing together of two ropes through karabiners or maillons induces heat which could result in rupture.
  5. Avoid over-rapid abseiling or lowering which could burn the rope and accelerate sheath wear. The melting temperature of polyamide is 230 C . This temperature may be attained during very rapid descents .
  6. The temperature in which the rope is used must never exceed 80 C .
  7. To clean, rinse the rope with lukewarm water and wipe with a damp cloth. The wet rope should be left to dry before storage. The rope should dry naturally, not near a fire or other heat source.
  8. To disinfect the rope, you may only use products that have no influence on the synthetic materials used. If you do not comply with these conditions, you put yourself at risk!
  9. A rope swells with use and can shrink in length by up to 15 %. Regularly check the length of your rope.
  10. A wet or icy rope is less abrasion-resistant. It is also harder to control in belay/rappel devices.
  11. A knot at the end of the rope is a necessary precaution in a variety of situations (long rappel, poor visibility, fatigue...). Avoid descending too rapidly: risk of burns and accelerated wear of the rope.
  12. To make a termination, tie a figure-eight knot at the desired location on the rope. We recommend a figure eight loop for your own rope terminations. There must be at least 10 cm of rope behind the knot. Please tie the knot correctly, as illustrated in Fig.1! Please note the route the load-bearing portion of rope takes (arrow). A different version will reduce the breaking load considerably.

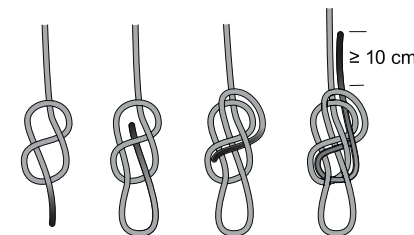
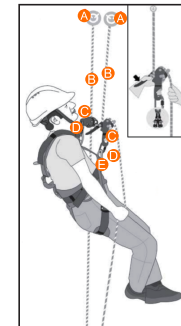


Fig.1 Detail of figure of eight knot

13. If free climbing is necessary when using the rope during rope-supported work, rescuing or speleology, you must use suitable ropes (e.g. dynamic mountaineering ropes in accordance with EN 892).
14. The system must include a reliable anchoring point (in accordance with EN 795,especially 12KN minimum strength) above the user. Avoid slack in any kernmantle rope with limited elongation between the user and the reliable anchoring point.
15. If a rope is cut into several lengths, mark the ends with the correct lengths and end-markings. The new lengths of rope must each be furnished with a copy of the Instructions for Use.

**Application:**  
 The rope shall be used in the following applications:



- key
- A. Anchor points (EN 795)
  - B. Ropes (EN 1891)
  - C. Descenders (EN 12841)
  - D. Connector (EN362)
  - E. Full body harness (EN361)

This rope must be used in conjunction with equipment which conform to the European standards (EN361-EN362 - EN795 - EN12841 etc.) and the user need make sure all recommendations of every equipment composing the fall arrest system are understood and applied.

**Additional information:**

1. This product meets the requirements of Regulation (EU) 2016/425 on personal protective equipment,and IFU(instructions for use) will be attached to the coil/reel.
2. Before the product is used there must be a plan for rescue operations that takes into account all possible emergencies.During and before use, you must consider how to perform the rescue efforts safely and effectively.
3. Do not perform any rope-supported work if your physical condition could compromise your safety during normal use or in an emergency!
4. In a fall arrest system, it is essential to check the required clearance below the user before each use, in order to avoid hitting the ground or an obstacle in case of a fall. Avoid slack in the rope between the user and the anchor point.
5. According to EN 1891 , no changes or additions to ropes are permitted and may only be performed by the manufacturer.The breaking load of the rope / rope with terminations applies only to force between one of the end of the rope and the other. You should therefore never load a termination loop transversely (2 carabiners in a loop). Check the load on the rope in the selected configuration and never overload it. We recommend a safety factor of  $\geq 7$ .
6. Make sure that the anchor point is correctly positioned, in order to limit the risk and the length of a fall.
7. A fall arrest harness is the only device allowable for supporting the body in a fall arrest system.
8. The Instructions for Use for each item of equipment used in conjunction with this product must be followed.
9. The Instructions for Use must be provided to the user of this equipment, in the language of the country where the equipment is used. And make sure the markings on the product are legible.

**Additional information:**

1. This product meets the requirements of Regulation (EU) 2016/425 on personal protective equipment,and IFU(instructions for use) will be attached to the coil/reel.
2. Before the product is used there must be a plan for rescue operations that takes into account all possible emergencies.During and before use, you must consider how to perform the rescue efforts safely and effectively.
3. Do not perform any rope-supported work if your physical condition could compromise your safety during normal use or in an emergency!
4. In a fall arrest system, it is essential to check the required clearance below the user before each use, in order to avoid hitting the ground or an obstacle in case of a fall. Avoid slack in the rope between the user and the anchor point.
5. According to EN 1891 , no changes or additions to ropes are permitted and may only be performed by the manufacturer.The breaking load of the rope / rope with terminations applies only to force between one of the end of the rope and the other. You should therefore never load a termination loop transversely (2 carabiners in a loop). Check the load on the rope in the selected configuration and never overload it. We recommend a safety factor of  $\geq 7$ .
6. Make sure that the anchor point is correctly positioned, in order to limit the risk and the length of a fall.
7. A fall arrest harness is the only device allowable for supporting the body in a fall arrest system.
8. The Instructions for Use for each item of equipment used in conjunction with this product must be followed.
9. The Instructions for Use must be provided to the user of this equipment, in the language of the country where the equipment is used. And make sure the markings on the product are legible.

**Hoater Guarantee:**  
 This product is guaranteed for 3 years against any faults in materials or manufacture . Exclusions from the guarantee: normal wear and tear, modifications or alterations, incorrect storage, poor maintenance, damage due to accidents, to negligence, or to improper or incorrect usage.

